

Product Brief

Headset Junction Box BSEM-HJB-L-0200



Description

The BSEM-HJB-L-0200 is used to interface one or two Bose® Aviation Headset X® users to a Mercury Intercom Unit (MIU). This product is used in conjunction with the BSEM-PTT-0401 headset and PTT cable assembly and other cabling assemblies that connect directly the MIU.



Key Features

- Provides two headset connectors for student and operator positions
- Provides PTT connectors to support the in-line PTT feature on the BSEM-PTT-0401 as well as PTT foot pedals at student and operator positions
- Provides 2 headset and 2 foot pedal ports for operator and student
- Designed for installation under a desk or work surface
- Supplies DC power required by Bose® Aviation Headset X® headsets
- Noise gating feature prevents background audio leakage to meet secure voice requirements

Bose® and Aviation Headset X® are trademarks owned by Bose Corporation. All other trademarks are the property of their respective owners.

Specifications

Dimensions	4.25" x 1.25" x 5" (WxHxD)
Power	Supplied 24 VDC @ 2.6A (Adapter)
Connectors	From the HJB To the power adapter To the BSEM-PTT-0401 To the foot pedal
Audio	(2x) 0 dBu Balanced
Accessories	BSEM-PTT-0401 BSEM-HJB-B2R2 BSEM-HJB-G2R1

- 1 x RJ45 connector, 2 Listen 1 Speak and PTT
- Captive 2.1 x 5.5mm DC Jack
- 2 x 12 pin LEMO
- 2 x 4 pin LEMO

Headset and PTT cable assembly for the HJB-L-0200
This cable provides the necessary breakout of the single CAT5 from the HJB-L-0200 to the three connectors required at the Mercury Interface Unit
When two HJB-L-0200 units are connected to one Mercury Interface Unit this cable combines the two GPI connectors from the HJB-B2R2 cables to the single GPI connector on the MIU



USA Sales

Trilogy USA Inc.
2500 E. Hallandale Beach Blvd, Suite 808
Hallandale Beach, FL 33009-4841, USA
Tel/Fax. +1 847 461 1480
Email. sales@trilogyus.com

International Sales

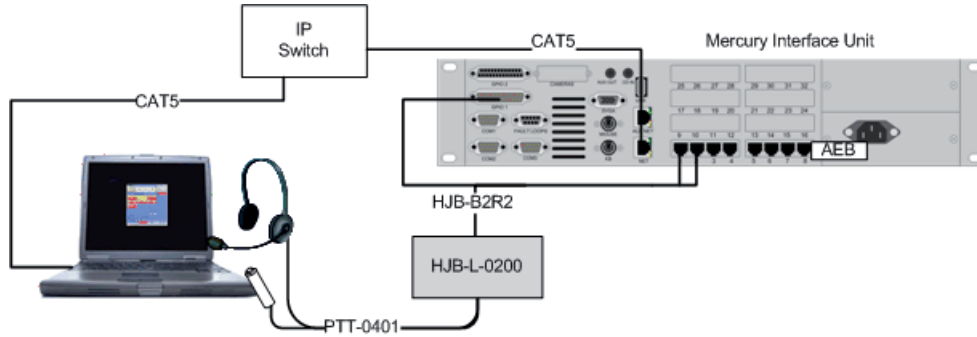
Trilogy Communications Ltd
26 Focus Way, Andover, Hampshire, SP10 5NY, UK
Tel. +44 (0) 1264 384000
Fax. +44 (0) 1264 334806
Email. sales@trilogycomms.com

Product Brief

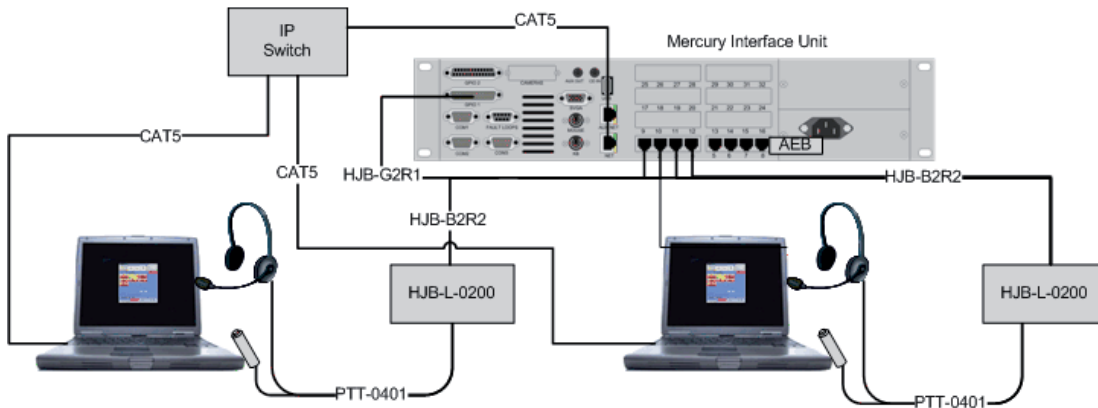
Headset Junction Box BSEM-HJB-L-0200



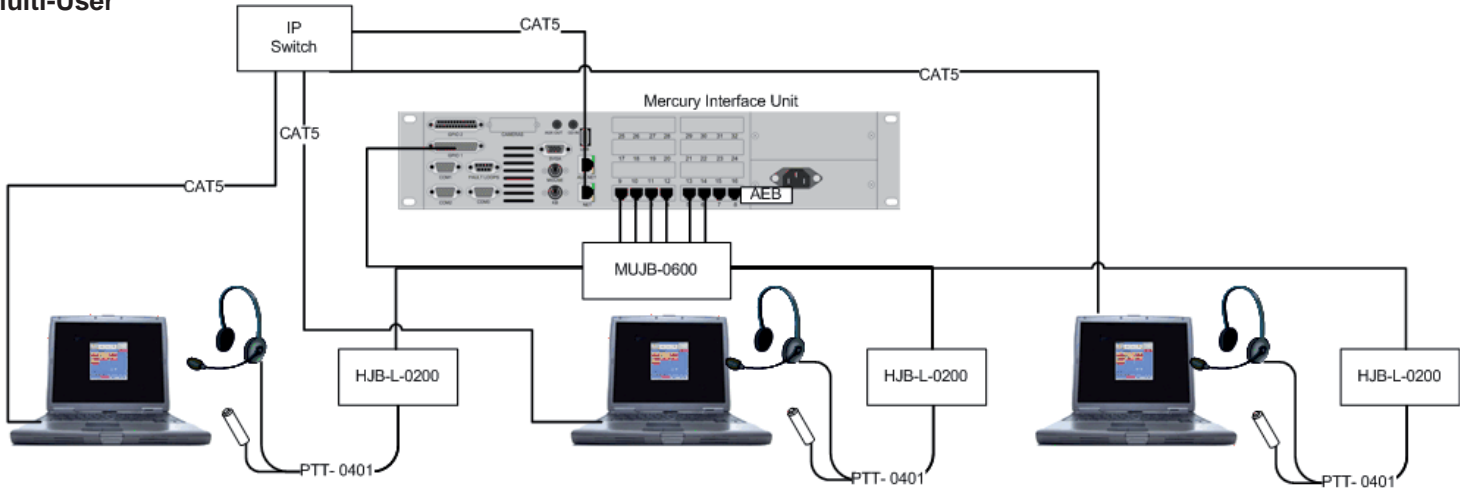
Single User



Dual User



Multi-User



USA Sales

Trilogy USA Inc.
2500 E. Hallandale Beach Blvd, Suite 808
Hallandale Beach, FL 33009-4841, USA
Tel/Fax. +1 847 461 1480
Email. sales@trilogyus.com

International Sales

Trilogy Communications Ltd
26 Focus Way, Andover, Hampshire, SP10 5NY, UK
Tel. +44 (0) 1264 384000
Fax. +44 (0) 1264 334806
Email. sales@trilogycomms.com